



# Eames<sup>®</sup> Turned Stool

Designed for lobbies of the Time-Life Building in 1960, this stool functions as a place to sit or a small table. First introduced in walnut as Eames Walnut Stool, it's now also available in a new shape and in ebonized ash and white oak. The new name reflects the process still used to manufacture the stool.

[hermanmiller.com/eames-turned-stool](https://hermanmiller.com/eames-turned-stool)

 **HermanMiller**

## Key features



1. Offered for the first time in white oak and new Eames shape
2. Also available in ebonized ash and traditional walnut
3. Made using unique wood-turning process that involves three separate pieces, which are turned on an axis and carved into different forms, then stacked together to blend in seamlessly

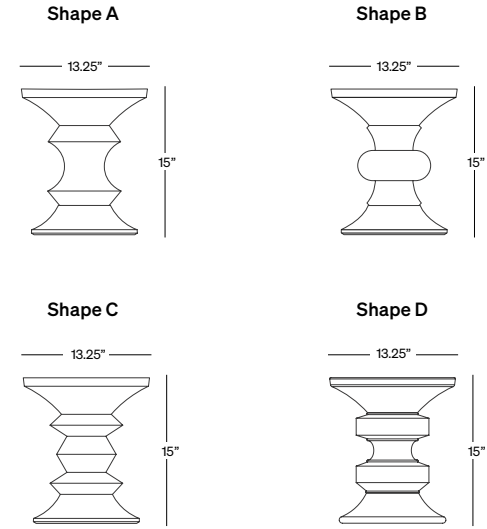
## Benefits

- Versatile piece that can be used as stool, table, or objet d'art.
- Fits a wide range of styles, thanks to new finish and new shape.

## Warranty

5 years

## Statement of line overview



For the full statement of line, please refer to the [price book](#).

## Materials

[Click here](#) to view the complete materials offering for Eames Turned Stool.

## Sustainability

[Click here](#) to see how Eames Turned Stool meets your environmental goals.

## 3D Models

[Click here](#) to explore the 3D model library.

## Images

[Click here](#) to view image gallery.